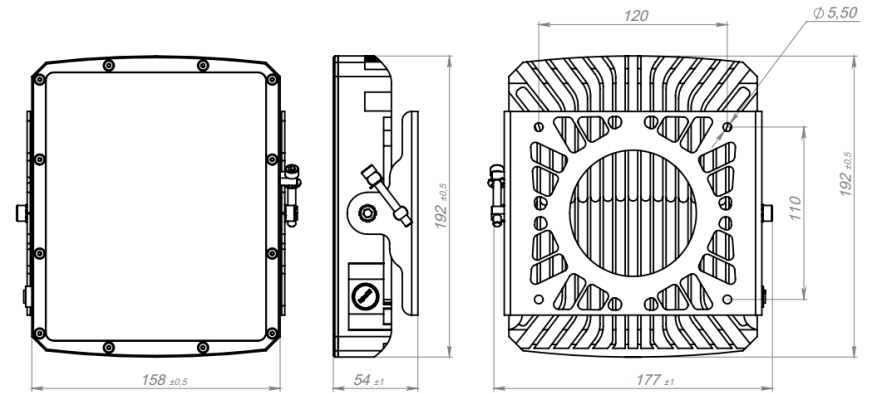


UNIVERSAL RADAR CPRR

SPECIFICATIONS

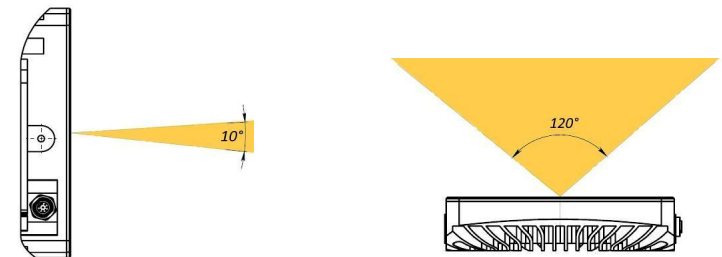
Carrier frequency	24.150 GHz
Bandwidth	200 MHz
Power of the emitted signal, no more	10 dBm
Maximum detection range	250 m
Minimum detection range	0.5 m
Range resolution	2.5 m
Range accuracy	≤ 0.2 m, range 100 m, 10 m ² RSC
Azimuth FoV	120°, range 100 m, 10 m ² RSC 90°, range 250 m, 10 m ² RSC
Azimuth resolution	4° @ ±10° 5° @ ±45° 8° @ ±60°
Azimuth accuracy	±0.7° ±10° FoV ±0.9° ±45° FoV ±1.2° ±60° FoV
Angle estimation accuracy	1°
View sector by elevation	10°
Framerate	15 fps
Velocity resolution	2.5 km/h
Velocity measurement range	±220 km/h
Velocity accuracy	±0,4 km/h
Data and power interface (M12 socket, IP67)	Ethernet (PoE)
Power consumption	15 W
PoE Power Supply Voltage	48 V
Ingress Protection Code	IP67
Operating temperature range	-45 ... +85 °C
Dimensions	177 x 54 x 192 mm
Weight, no more	2 kg

DIMENSIONAL DRAWING



Overall dimensions of the device (in mm)

RADAR DIRECTION



Side view

View from above